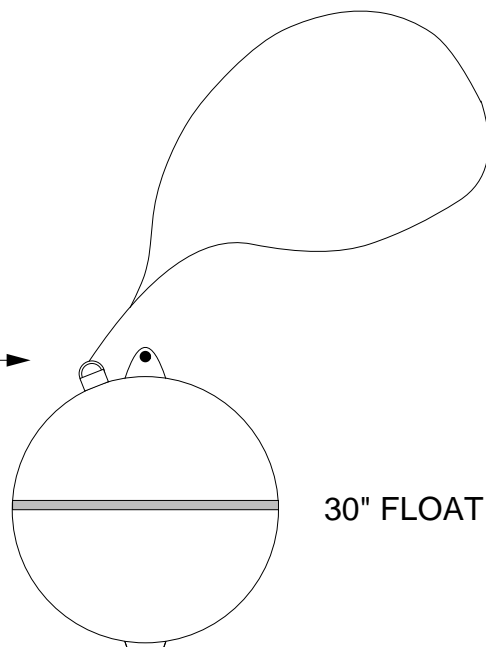


3 METER FLOATING RECOVERY LINE
SPLICED TO LIFTING BALE

RELEASE
POINT



30" FLOAT

1/2" SAS

1/2" SAS

1/2" SIP

1/2" SS SAS

1/2" SS SAS

1 METER STAINLESS STEEL CHAIN

7/16" SS SAS

AURAL

7/16" SS SAS

1/2" SS SAS

1/2" SIP

1/2" SAS

5/8" SAS

1 METER CHAIN

5/8" SAS

1/2" SAS

1.5 TON SWIVEL

1/2" SAS

5/8" SAS

ACOUSTIC RELEASE 8242
with SPRING

RELEASE LINK

5/8" SAS

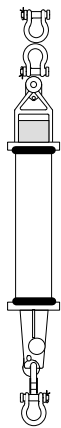
1.5 METER 1/2" CHAIN

5/8" SAS

5/8" SL

5/8" SAS

730 Lb.(air wt.) ANCHOR
635 Lb.(wet wt.) ANCHOR



1/2" SAS
7/16" SAS

ACOUSTIC RELEASE 866 HB

RELEASE LINK
1/2" SAS



RELEASE LINK
FOR ANCHOR
LAST DEPLOYMENT

KEY:

- SAS, SAFETY ANCHOR SHACKLE with cotter pin
- SS SAS, STAINLESS STEEL SAFETY ANCHOR SHACKLE with cotter pin
- SL, SLING LINK
- SIP, SHACKLE ISOLATOR PLATE

17 MOORINGS

VARYING DEPTHS; 40M, 50M, 100M



NOAA-PMEL

7600 Sandpoint Way NE
Seattle, Wa. 98115
(206) 526-6023

AURAL/BERCHOK

LOCATION:

BEAUFORT, BERING, CHUKCHI SEAS

DRAWN BY:

Mike Craig

DATE:

4 AUGUST 2015

APPROVED BY:

DATE: