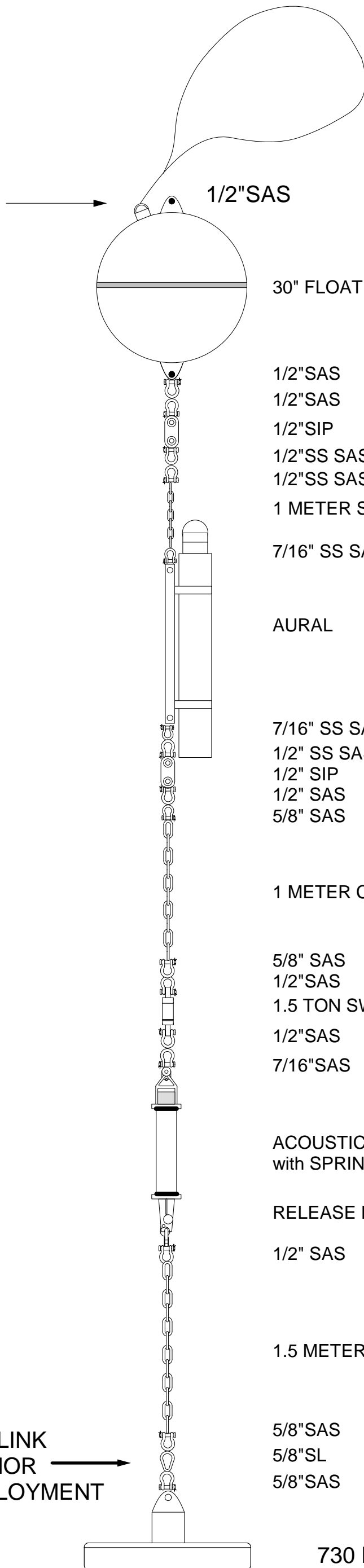


3 METER FLOATING RECOVERY LINE  
SPLICED TO LIFTING BALE

RELEASE  
POINT



1/2" SAS

30" FLOAT

1/2" SAS

1/2" SAS

1/2" SIP

1/2" SS SAS

1/2" SS SAS

1 METER STAINLESS STEEL CHAIN

7/16" SS SAS

AURAL

7/16" SS SAS

1/2" SS SAS

1/2" SIP

1/2" SAS

5/8" SAS

1 METER CHAIN

5/8" SAS

1/2" SAS

1.5 TON SWIVEL

1/2" SAS

7/16" SAS

ACOUSTIC RELEASE 866 HB  
with SPRING

RELEASE LINK

1/2" SAS

1.5 METER 1/2" CHAIN

5/8" SAS

5/8" SL

5/8" SAS

730 Lb.(air wt.) ANCHOR  
635 Lb.(wet wt.) ANCHOR

**THESE 11 MOORINGS WILL BE NEW  
JULY 2014 W/ 866HB RELEASES**

KEY:

SAS, SAFETY ANCHOR SHACKLE  
with cotter pin  
SS SAS, STAINLESS STEEL SAFETY  
ANCHOR SHACKLE with cotter pin  
SL, SLING LINK  
SIP, SHACKLE ISOLATOR PLATE

**11 MOORINGS**

**VARYING DEPTHS; 40M, 50M, 100M**



**NOAA-PMEL**

7600 Sandpoint Way NE  
Seattle, Wa. 98115  
(206) 526-6023

**AURAL/BERCHOK**

LOCATION:

**BEAUFORT, BERING, CHUKCHI SEAS**

DRAWN BY:

**Mike Craig**

DATE:

**7 MAY 2014**

APPROVED BY:

DATE:

RELEASE LINK  
FOR ANCHOR  
LAST DEPLOYMENT