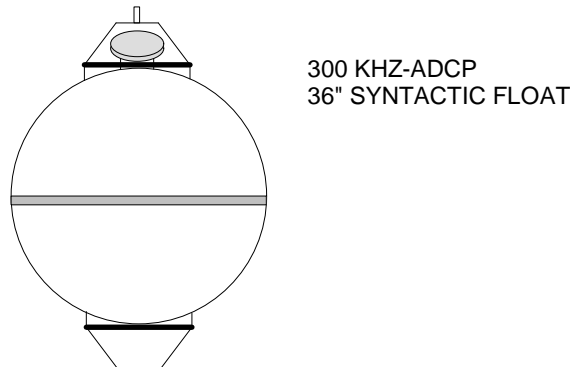
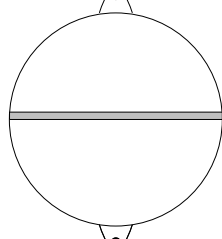


60 METERS



300 KHZ-ADCP  
36" SYNTACTIC FLOAT

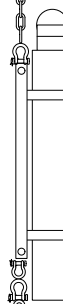
1/2" SAS  
5/8" SAS



30" FLOAT

5/8" SAS  
1/2" SAS  
3 TON SWIVEL  
1/2" SAS  
1/2" SAS  
1/2" SIP  
1/2" SS SAS  
1/2" SS SAS  
1 METER STAINLESS STEEL CHAIN

64 METERS



7/16" SS SAS

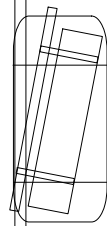
AURAL

7/16" SS SAS  
1/2" SS SAS

.75 METER 1/2" SS CHAIN

1/2" SS SAS  
3/4" SS SAS

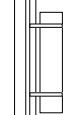
67 METERS



AWCP

3/4" SS SAS  
1/2" SS SAS  
1/2" SIP  
1/2" SAS  
5/8" SAS

69 METERS



PAL

5/8" SAS  
1/2" SAS  
3 TON SWIVEL  
1/2" SAS  
7/16" SAS



3 TON SWIVEL  
1/2" SAS  
5/8" SAS

HYBRID 866 RELEASE

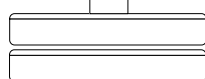
8242 RELEASE

RELEASE LINK  
1/2" SAS, ISOLATED  
5/8" SAS

RELEASE LINK  
5/8" SAS  
5/8" SAS

1.5 METER 1/2" CHAIN

5/8" SAS



1600 POUND ANCHOR

INSTRUMENT	DEPTH M	SERIAL NO.
300 KHZ ADCP	60	
AURAL	64	
AWCP	67	
PAL	69	
BOTTOM	72	

**NOAA-PMEL-FOCI**  
7600 Sandpoint Way NE  
Seattle, Wa. 98115  
(206) 526-6180

MOORING: 13BSP-2B

LOCATION: BERING SEA, SITE 2

DRAWN BY: Mike Craig DATE: 30 MAY 2013

APPROVED BY: HVM DATE: 10 JUNE 2013