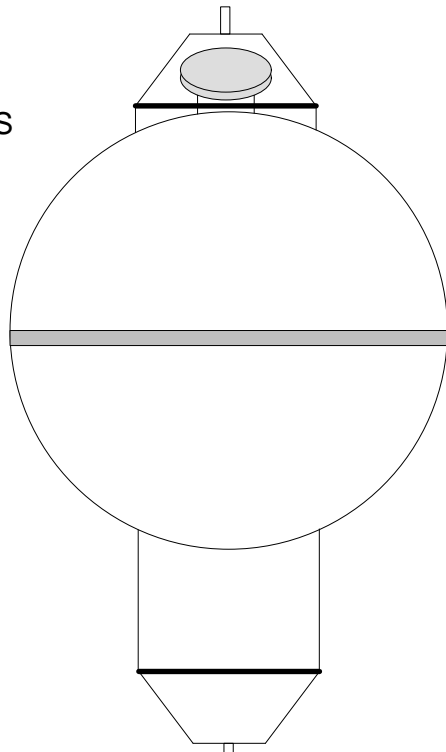


115 METERS

300 KHZ-ADCP
35" SYNTACTIC FLOAT



116 METER

1/2" SAS

1/2" SAS

MICROCAT

1/2" SAS

1.5 METER CHAIN

1/2" SAS

3 TON SW

1/2" SAS

5/8" SAS

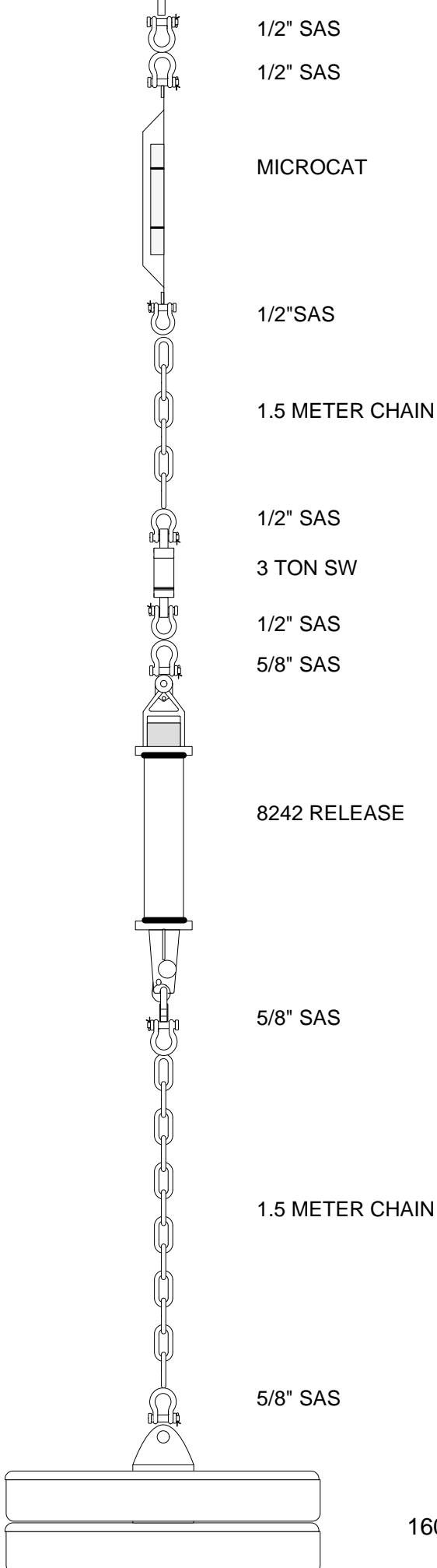
8242 RELEASE

5/8" SAS


1.5 METER CHAIN

5/8" SAS

1600 POUND ANCHOR



INSTRUMENT	DEPTH M	SERIAL NO.
300 kHz ADCP	115	
MICROCAT	116	
BOTTOM	120	

 NOAA-PMEL-FOCI 7600 Sandpoint Way NE Seattle, Wa. 98115 (206) 526-6175	
MOORING:	13SVP-39A
LOCATION:	
DRAWN BY: Rick Miller	DATE: 23 APRIL 2013
APPROVED BY:	DATE: