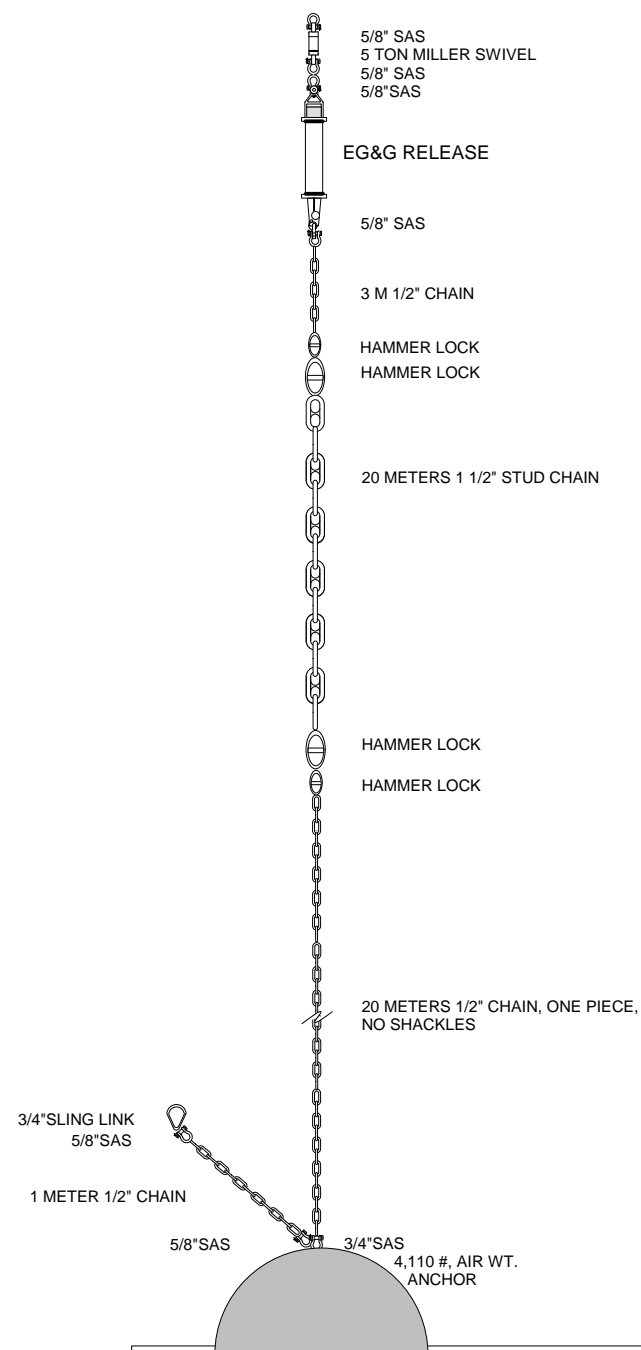
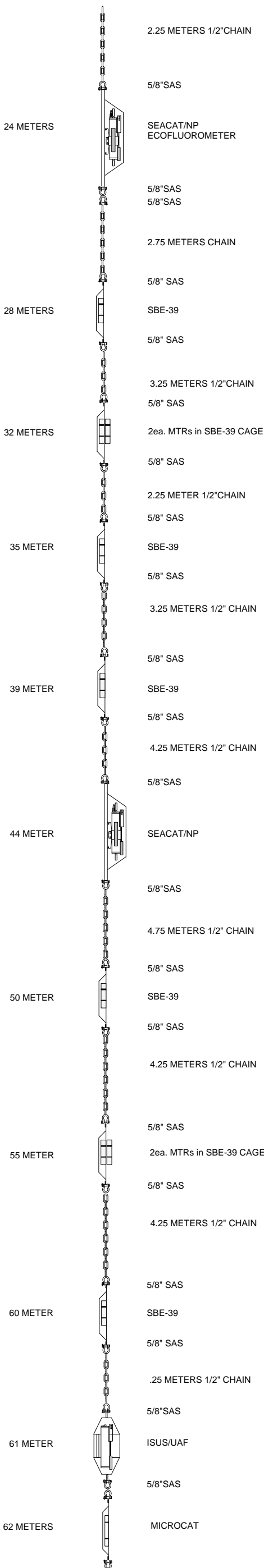
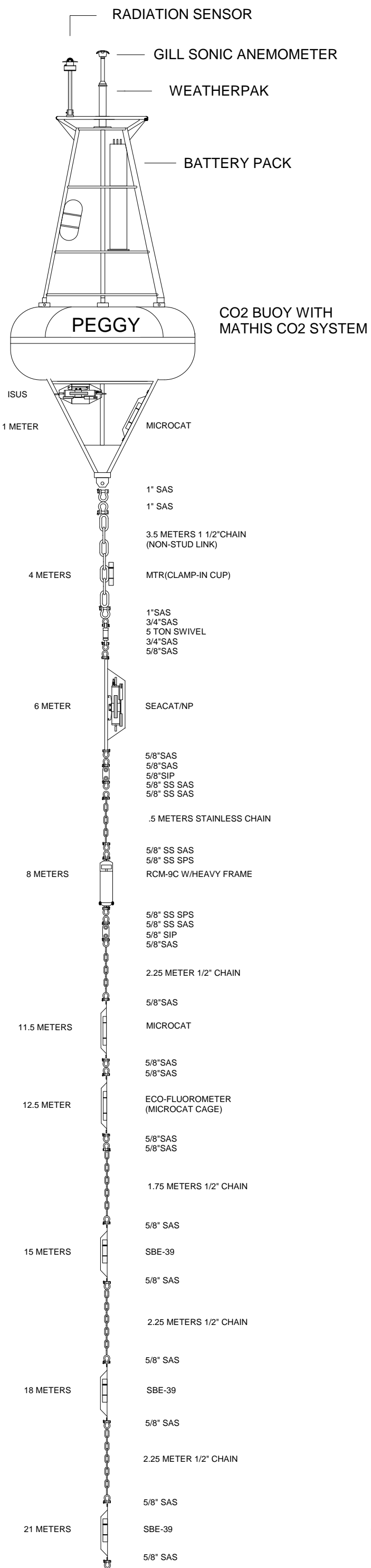



**NO LOOSE OR UNSUPPORTED CHAIN OR  
HARDWARE ON THIS MOORING.  
SUBSURFACE AURAL NEARBY.**



**SCOPE 1:1.5**

SURFACE INSTRUMENTS		
INST	SER #	
WEATHERPAK		
GILL SONIC		
LinkQuest Mod		
DCU Iridium		
EPPLEY RADIATION		
SUBSURFACE INSTRUMENTS		
DEPTH (M)	INST.	SER #
1	MICROCAT	
1	ISUS	
4	MTR	
6	SEACAT/NP-no.pu	
8	RCM-9/C	
12	MICROCAT	
12.5	Eco-Fluor	
15	SBE-39	
18	SBE-39	
21	SBE-39	
24	SEACAT/NP-pump	
24	ECOFLUOR	
28	SBE-39	
32	MTR	
32	MTR	
35	SBE-39	
39	SBE-39	
44	SEACAT/NP	
50	SBE-39	
55	MTR	
55	MTR	
60	SBE-39	
61	ISUS	UAF
62	MICROCAT	
	AC.REL.	
72	BOTTOM	



**NOAA-PMEL-FOCI**  
7600 Sandpoint Way NE  
Seattle, Wa. 98115  
(206) 526-6180

<b>MOORING:</b>	<b>13BSM-2A</b>
<b>LOCATION:</b>	<b>BERING SEA</b>
<b>DRAWN BY:</b>	<b>Rick Miller</b>
<b>DATE:</b>	<b>18 MARCH 2013</b>
<b>APPROVED BY:</b>	<b>DATE:</b>