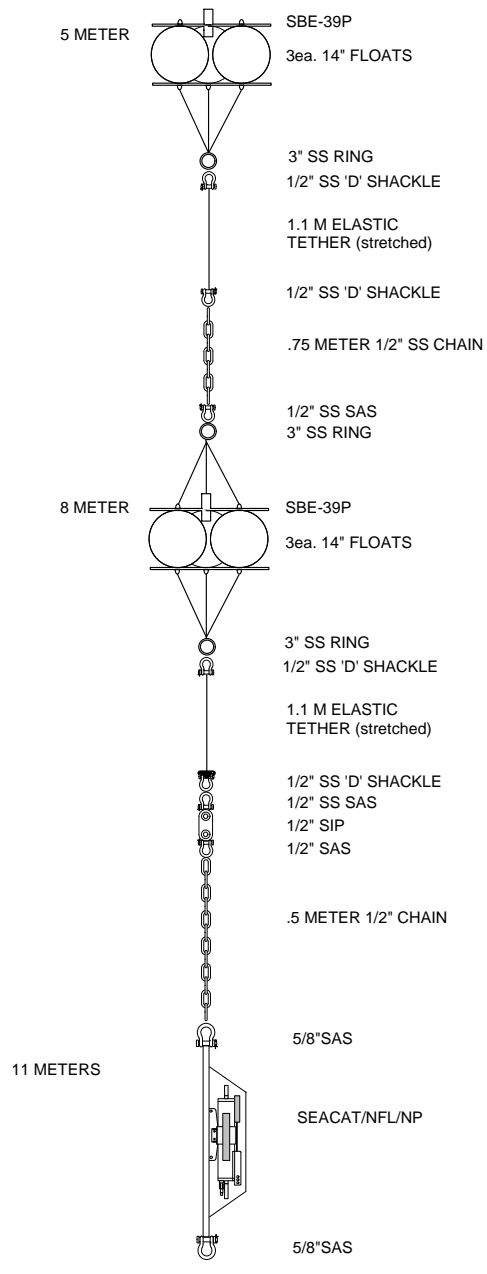
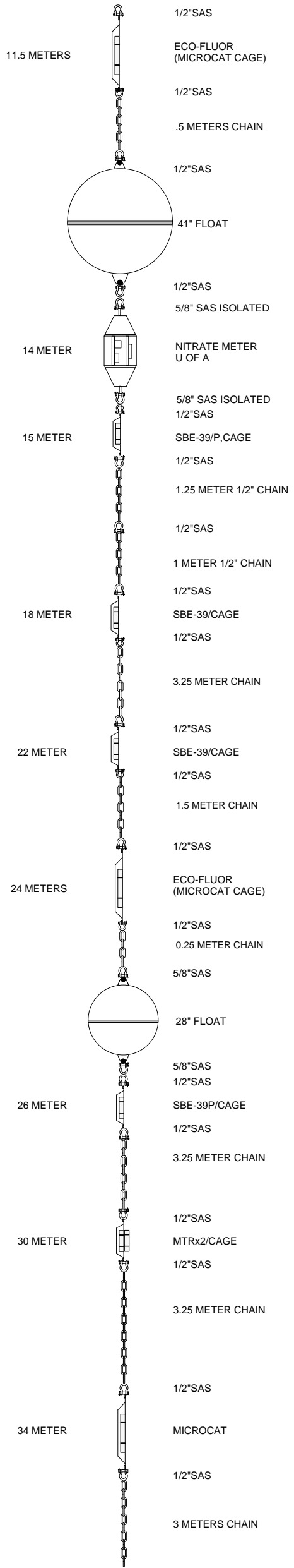
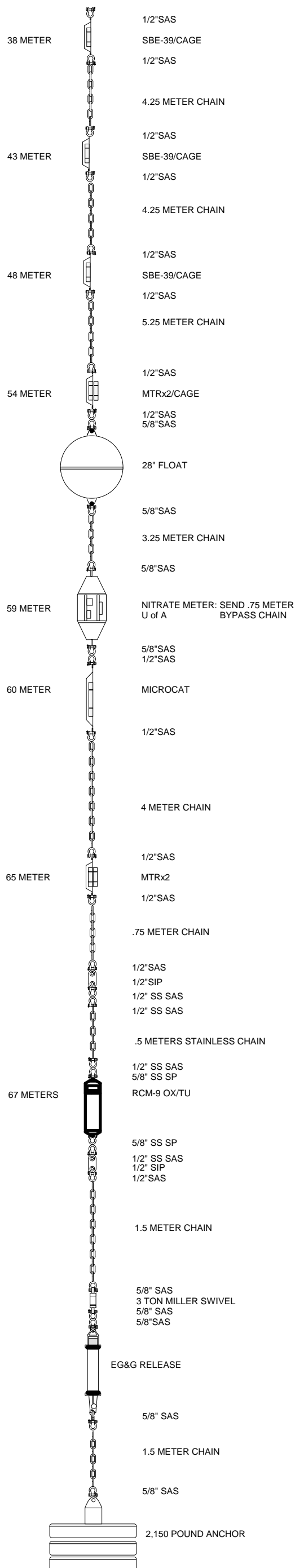


**NO LOOSE OR UNSUPPORTED CHAIN OR  
HARDWARE ON THIS MOORING.  
SUBSURFACE AURAL NEARBY.**



NO LOOSE UNSUPPORTED CHAIN OR HARDWARE ON THIS MOORING		
SUBSURFACE INSTRUMENTS		
DEPTH (M)	INST.	SER #
5	SBE-39	
8	SBE-39	
11	Seacat/NFL/NP	
11.5	ECO-FLUOR	
14	NITRATE	U OF A
15	SBE-39/P	
18	SBE-39	
22	SBE-39	
24	ECO-FLUOR	
26	SBE-39	
30	MTR(2)	
34	MICROCAT	
38	SBE-39	
43	SBE-39	
48	SBE-39	
54	MTR(2)	
59	NITRATE	U OF A
60	MICROCAT	
65	MTR(2)	
67	RCM-9 (OX/TU)	
72	BOTTOM	

**NOAA-PMEL-FOCI**  
7600 Sandpoint Way NE  
Seattle, Wa. 98115  
(206) 526-6808

**MOORING:** 13BS-4A

**LOCATION:** BERING SEA

**DRAWN BY:** Rick Miller **DATE:** 18 MARCH 2013

**APPROVED BY:** **DATE:**