

90 METERS

300 KHZ ADCP

36" SYNTACTIC FLOAT

92 METERS

1/2" SAS  
5/8" SAS

SBE-37

5/8" SAS

5 METERS CHAIN

5/8" SAS  
3 TON SWIVEL  
5/8" SAS  
5/8" SAS

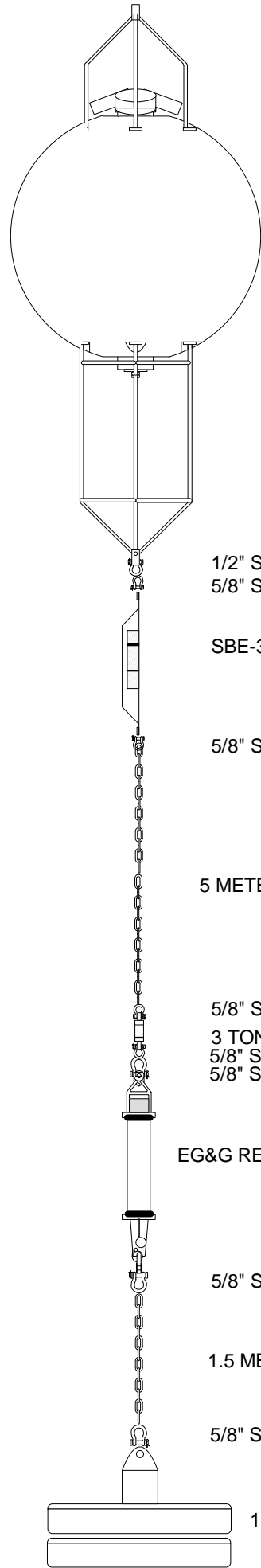
EG&G RELEASE


5/8" SAS

1.5 METER CHAIN

5/8" SAS

1600 POUND ANCHOR



INSTRUMENT	DEPTH	SN
300kHz ADCP	90	
SBE-37	92	
BOTTOM	100	
 <b>NOAA-PMEL-FOCI</b> 7600 Sandpoint Way NE Seattle, Wa. 98115 (206) 526-6175		
<b>MOORING:</b>	14UBP-1B	
<b>LOCATION:</b>	E. BERING SHELF	
<b>DRAWN BY:</b> MIKE CRAIG	<b>DATE:</b> 13 MAY 2014	
<b>APPROVED BY:</b>	<b>DATE:</b>	